

## ISO 5211 Pneumatic Actuator Operated Off - Set Disc Double Flange Butterfly Valve

"aira" offers ISO 5211 Standard Pneumatic Rotary Actuator Operated Off - Set Disc Butterfly Valve Double Flange Construction engineered for Multiply ON - OFF Operation in the large Pipe line Full Flow down Stream.

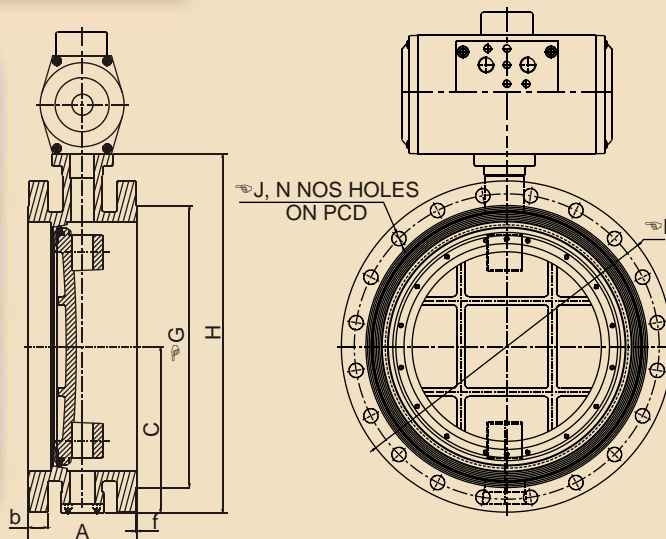
### Material Of Constructions :

Size Range	100MM to 600MM (650MM to 1200MM On Request)
Construction Type	Double Eccentric Disc Design
Body	A216 WCB / A351 CF8 / A351 CF8M / Etc.....
Disc	A216 WCB / A351 CF8 / A351 CF8M / Etc.....
Seat	PTFE / R PTFE / NBR / EPDM / Viton
Shaft	AISI 410 / AISI 304 / AISI 316 etc.....
Pressure Rating	150# / PN 10 / PN 16
End Connection	Double Flange Type
Operating Temp.	NBR Seat - 0 °C to 80 °C EPDM Seat - 0 °C to 120 °C Viton Seat - 0 °C to 220 °C PTFE Seat - -25 °C to 180 °C RPTFE Seat - -25 °C to 250 °C
Operating	Lever Operated / Manual Worm Gear Actuator / Pneumatic Actuator / Electrical Actuator



### Standards :

Design And Manufacturing	API 609 Category "B" / AWWA C - 504
Valve Face to Face Dimensions	API 609 Category B / AWWA C - 504
Flange Standard Conformity	ASME / ANSI B16.5 150# ASME / ANSI B16.47 Series "A" 150# BS - 10 Table "D" BS - 4504 / IS 1538 / AWWA C - 207
Inspection & Testing	API 598
Pressure Temperature Rating	ANSI B 16.34
Top Flange Dimensions	Bolt Hole ISO 5211
Stem Dimensions	Square Drive to ISO 5211
Leakage Class	Class VI as per ANSI B 16.104



### Dimensions :

(All Dimensions are in mm)

Valve Model	Valve Size MM	Inch	A	b	C	D	f	g	H	J	N	PCD
OBFV-100	100	4"	127	23.88	96	228.6	1.6	157.23	237	19.05	08	190.5
OBFV-150	150	6"	140	25.4	115	279.4	1.6	216	285	22.35	08	241.3
OBFV-200	200	8"	152	28.45	141	343	1.6	269.75	344.5	22.35	08	298.45
OBFV-250	250	10"	165	30.23	179	406.4	1.6	323.85	416	25.4	12	361.95
OBFV-300	300	12"	178	31.75	210	482.6	1.6	381.6	486	25.4	12	431.8
OBFV-350	350	14"	190	35.05	234	533.4	1.6	412.75	541	28.45	12	476.25
OBFV-400	400	16"	216	36.58	275	596.6	1.6	469.9	625	28.45	16	539.75
OBFV-450	450	18"	222	39.6	327.5	635	1.6	533.4	698	31.75	16	577.85
OBFV-500	500	20"	229	42.9	359	698.5	1.6	584.2	764.5	31.75	20	635
OBFV-600	600	24"	267	47.7	409	812.8	1.6	692.15	882	35.05	20	749.3